

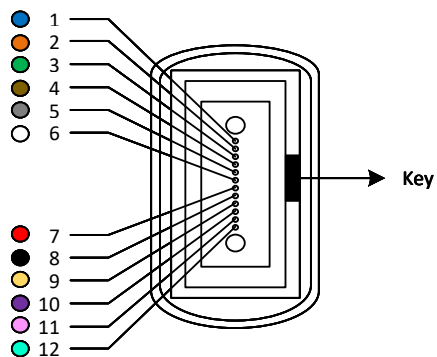
Fiber Configuration: Type U

Fiber no.	1	2	3	4	5	6	7	8	9	10	11	12
FC	Blue	Orange	Green	Brown	Grey	White	Red	Black	Yellow	Violet	Pink	Aqua

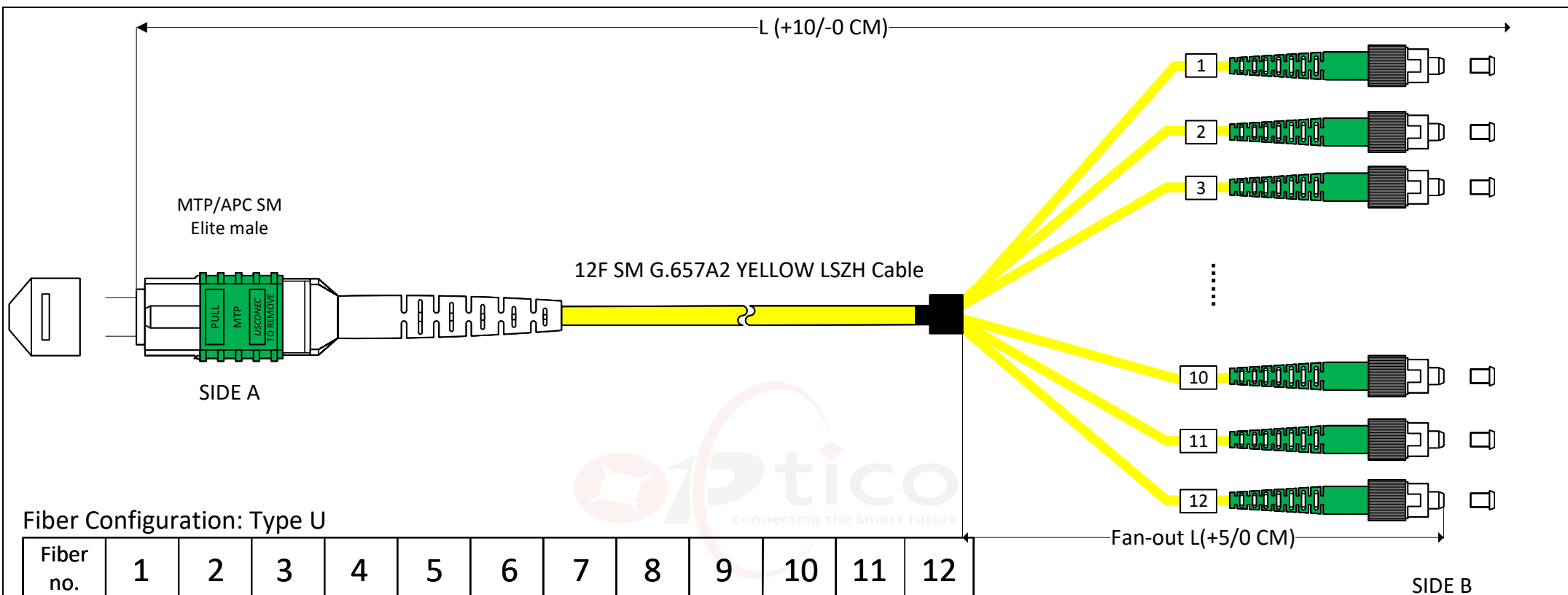
Specification:

- 1.MTP Low Loss IL:  $\leq 0.35\text{dB}$ , Ultra low loss:  $\leq 0.25\text{dB}$ ; FC Low loss:  $\leq 0.25\text{dB}$
- 2.Return Loss:  $\geq 65\text{dB}$
- 3.Operation Environment:  $-40\sim+85^{\circ}\text{C}$
- 4.Storage Environment:  $-40\sim+85^{\circ}\text{C}$

SIDE A



										<b>SHENZHEN OPTICO COMMUNICATION CO., LTD.</b>			
Model		12F MTPAPC Female-FC Fan-out Patchcord Type U SM G657A2 3.0mm Yellow LSZH CPR-Dca Cable						OP-12F-MTPFFCA-FP-SM-U					
FIRST ANGLE PROJECTION	MATERIAL	UNIT	SCALE	SIZE	SHEET	DRAWN	XUELING W	DATE	2025.04.25				
	LSZH	m		A4	1	CHECKED	Michael Liu	DATE	2025.04.25				
						APPROVED	STEVEN Zhang	DATE	2025.04.25				

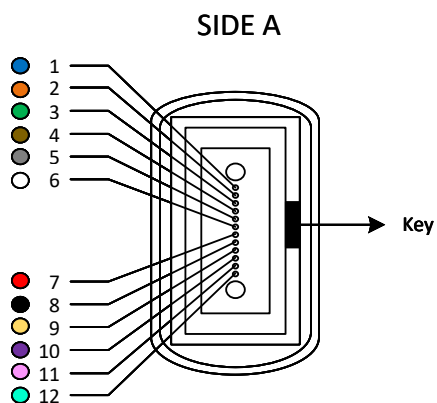



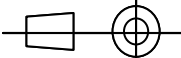
Fiber Configuration: Type U

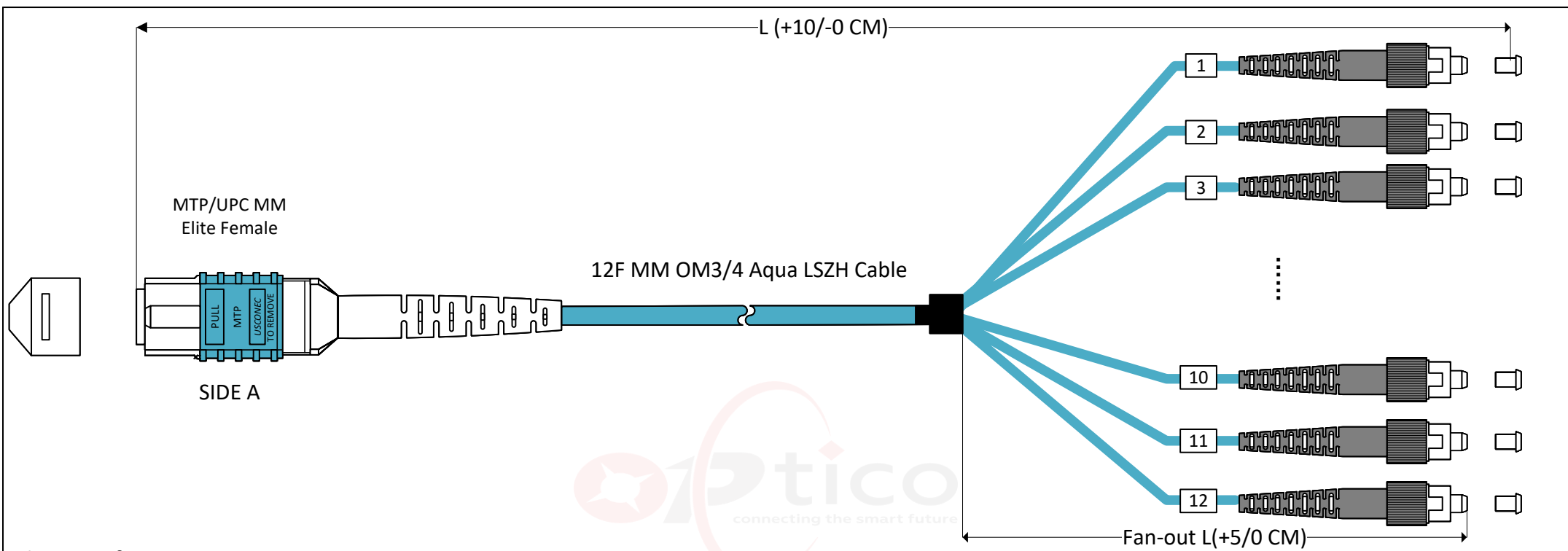
Fiber no.	1	2	3	4	5	6	7	8	9	10	11	12
FC	Blue	Orange	Green	Brown	Grey	White	Red	Black	Yellow	Violet	Pink	Aqua

Specification:

- 1.MTP Low Loss IL:  $\leq 0.35\text{dB}$ , Ultra low loss:  $\leq 0.25\text{dB}$ ; FC Low loss:  $\leq 0.25\text{dB}$
- 2.Return Loss:  $\geq 65\text{dB}$
- 3.Operation Environment:  $-40\sim+85^{\circ}\text{C}$
- 4.Storage Environment:  $-40\sim+85^{\circ}\text{C}$



		<b>SHENZHEN OPTICO COMMUNICATION CO., LTD.</b>								
Model	12F MTPAPC male-FC Fan-out Patchcord Type U SM G657A2 3.0mm Yellow LSZH CPR-Dca Cable						OP-12F-MTPMFCA-FP-SM-U			
FIRST ANGLE PROJECTION 	MATERIAL	UNIT	SCALE	SIZE	SHEET	DRAWN	XUELING W	DATE	2025.04.25	
	LSZH	m	/	A4	1	CHECKED	Michael Liu	DATE	2025.04.25	
						APPROVED	STEVEN Zhang	DATE	2025.04.25	



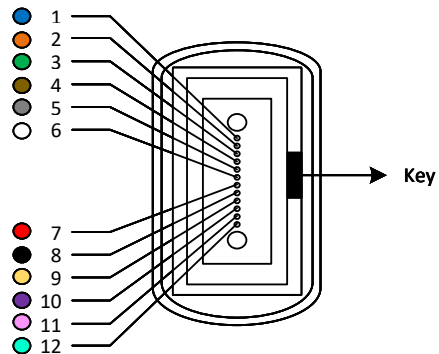
Fiber Configuration: Type U


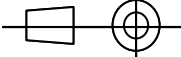
Fiber no.	1	2	3	4	5	6	7	8	9	10	11	12
FC	Blue	Orange	Green	Brown	Grey	White	Red	Black	Yellow	Violet	Pink	Aqua

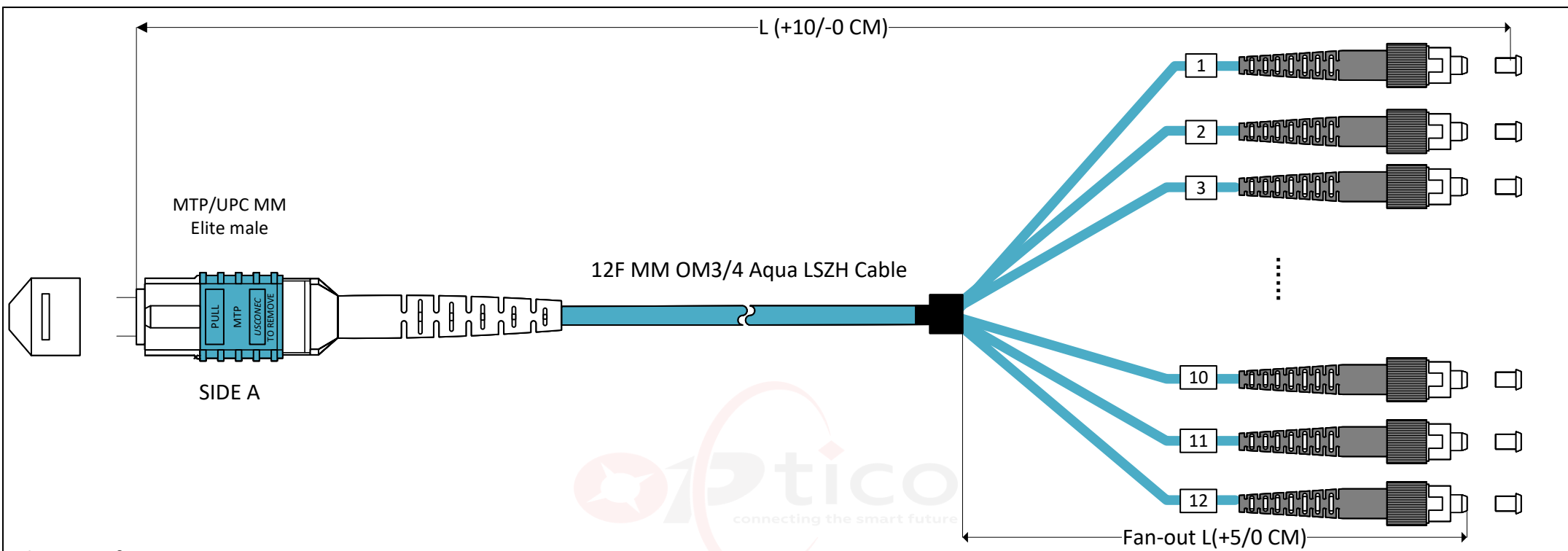
Specification:

- 1.MTP Low Loss IL:  $\leq 0.35\text{dB}$ , Ultra low loss:  $\leq 0.25\text{dB}$ ; FC Low loss:  $\leq 0.25\text{dB}$
- 2.Return Loss:  $\geq 35\text{dB}$
- 3.Operation Environment:  $-40\sim+85^{\circ}\text{C}$
- 4.Storage Environment:  $-40\sim+85^{\circ}\text{C}$

SIDE A



		<b>SHENZHEN OPTICO COMMUNICATION CO., LTD.</b>								
Model	12F MTPUPC Female-FC Fan-out Patchcord Type U OM3/4 3.0mm Aqua LSZH CPR-Dca Cable						OP-12F-MTPFFCU-FP- M3/4-U			
FIRST ANGLE PROJECTION 	MATERIAL	UNIT	SCALE	SIZE	SHEET	DRAWN	XUELING W	DATE	2025.04.25	
	LSZH	m	/	A4	1	CHECKED	Michael Liu	DATE	2025.04.25	
						APPROVED	STEVEN Zhang	DATE	2025.04.25	

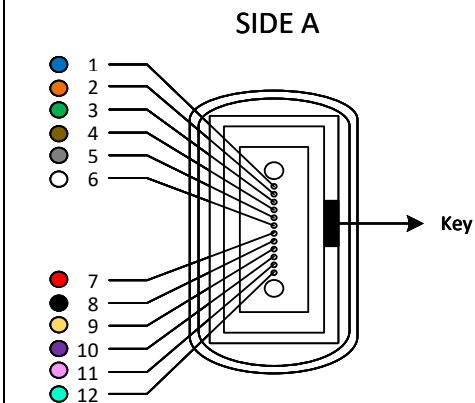



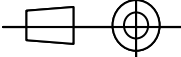
Fiber Configuration: Type U

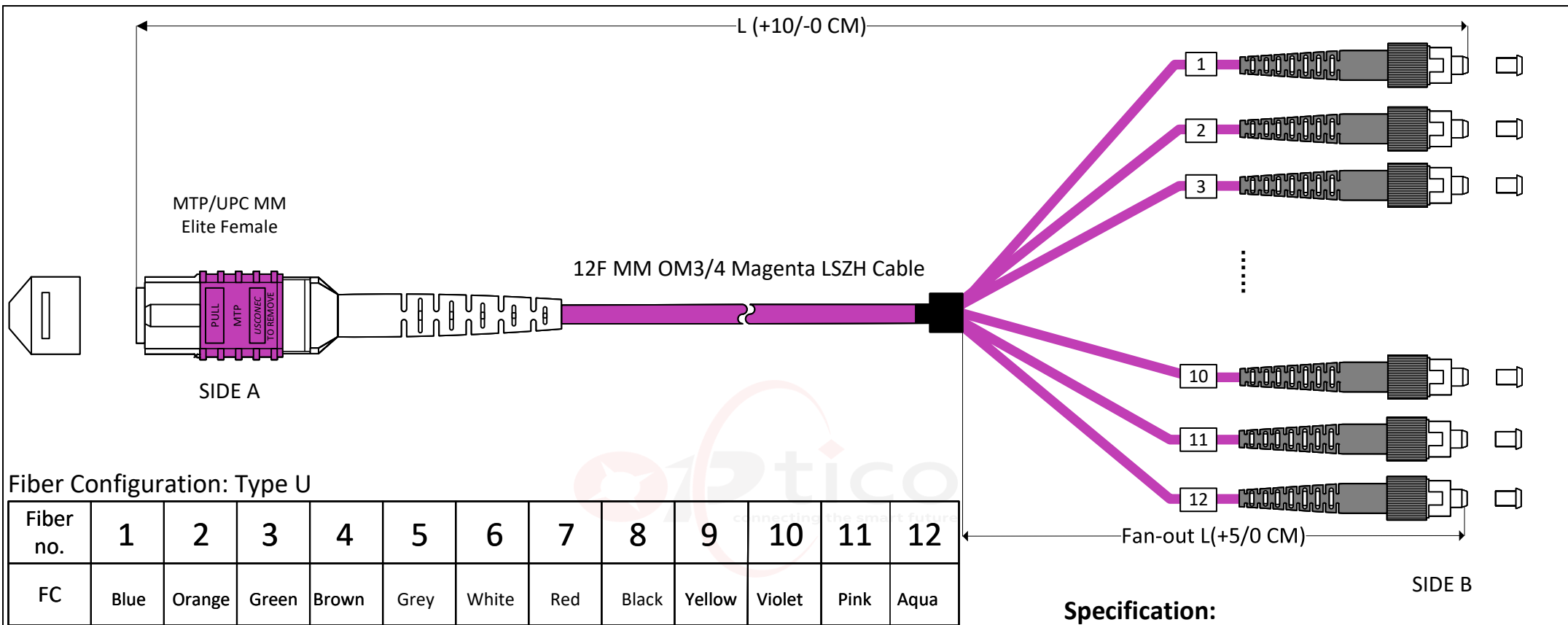
Fiber no.	1	2	3	4	5	6	7	8	9	10	11	12
FC	Blue	Orange	Green	Brown	Grey	White	Red	Black	Yellow	Violet	Pink	Aqua

Specification:

- 1.MTP Low Loss IL:  $\leq 0.35\text{dB}$ , Ultra low loss:  $\leq 0.25\text{dB}$ ; FC Low loss:  $\leq 0.25\text{dB}$
- 2.Return Loss:  $\geq 35\text{dB}$
- 3.Operation Environment:  $-40\sim+85^{\circ}\text{C}$
- 4.Storage Environment:  $-40\sim+85^{\circ}\text{C}$

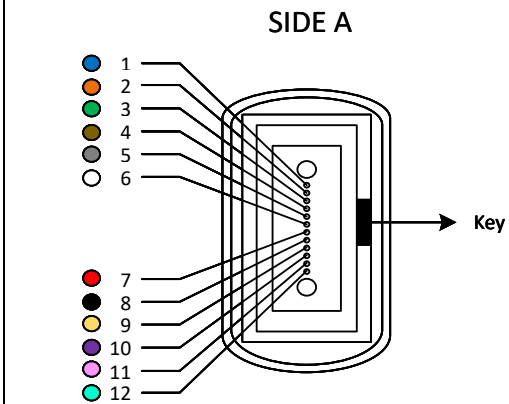



		SHENZHEN OPTICO COMMUNICATION CO., LTD.									
Model		12F MTPUPC male-FC Fan-out Patchcord Type U OM3/4 3.0mm Aqua LSZH CPR-Dca Cable					OP-12F-MTPMFCU-FP-M3/4-U				
FIRST ANGLE PROJECTION		MATERIAL	UNIT	SCALE	SIZE	SHEET	DRAWN	XUELING W	DATE	2025.04.25	
		LSZH	m	/	A4	1	CHECKED	Michael Liu	DATE	2025.04.25	
							APPROVED	STEVEN Zhang	DATE	2025.04.25	

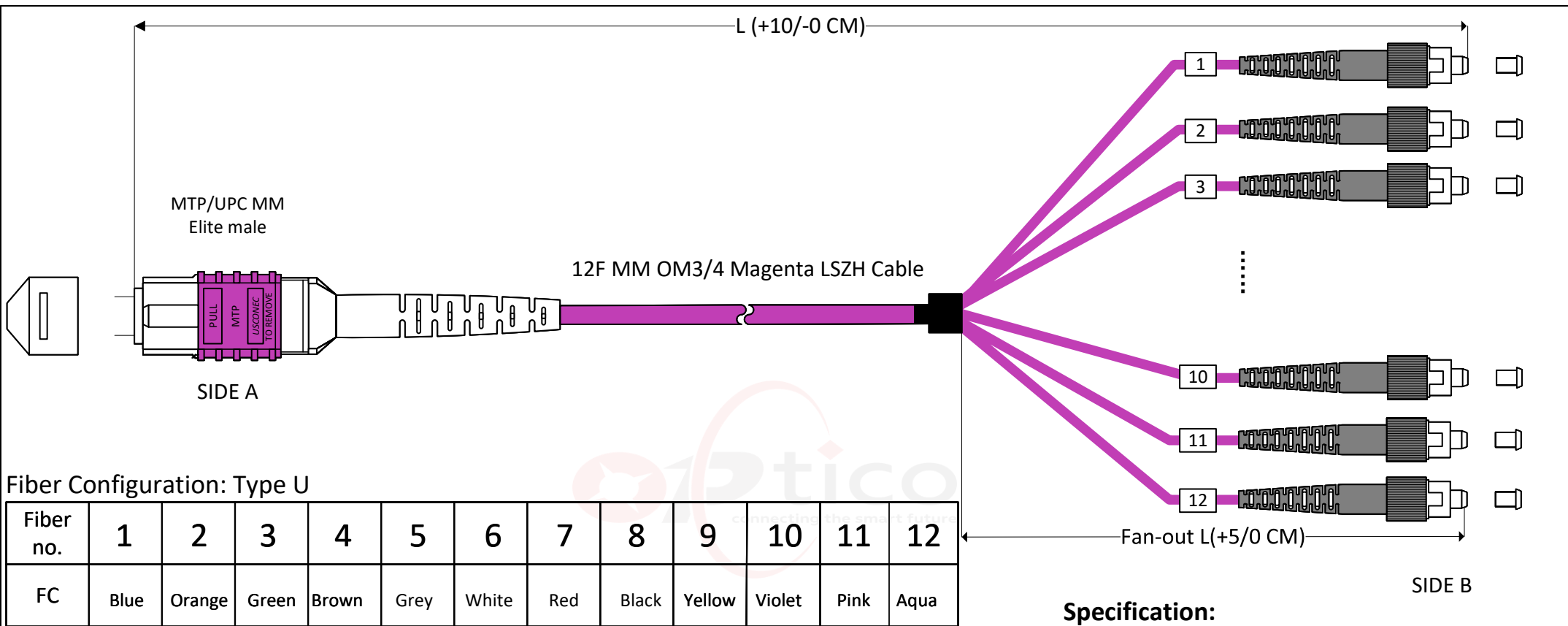


**Specification:**

- 1.MTP Low Loss IL:  $\leq 0.35\text{dB}$ , Ultra low loss:  $\leq 0.25\text{dB}$ ; FC Low loss:  $\leq 0.25\text{dB}$
- 2.Return Loss:  $\geq 35\text{dB}$
- 3.Operation Environment:  $-40\sim+85^{\circ}\text{C}$
- 4.Storage Environment:  $-40\sim+85^{\circ}\text{C}$

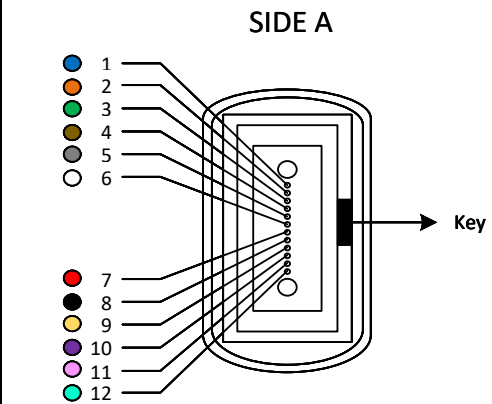


 <b>SHENZHEN OPTICO COMMUNICATION CO., LTD.</b>										
Model		12F MTPUPC Female-FC Fan-out Patchcord Type U OM3/4 3.0mm Magenta LSZH CPR-Dca Cable					OP-12F-MTPFFCU-FP- M3/4-U			
FIRST ANGLE PROJECTION	MATERIAL	UNIT	SCALE	SIZE	SHEET	DRAWN	XUELING W	DATE	2025.04.25	
	LSZH	m		A4	1	CHECKED	Michael Liu	DATE	2025.04.25	
						APPROVED	STEVEN Zhang	DATE	2025.04.25	

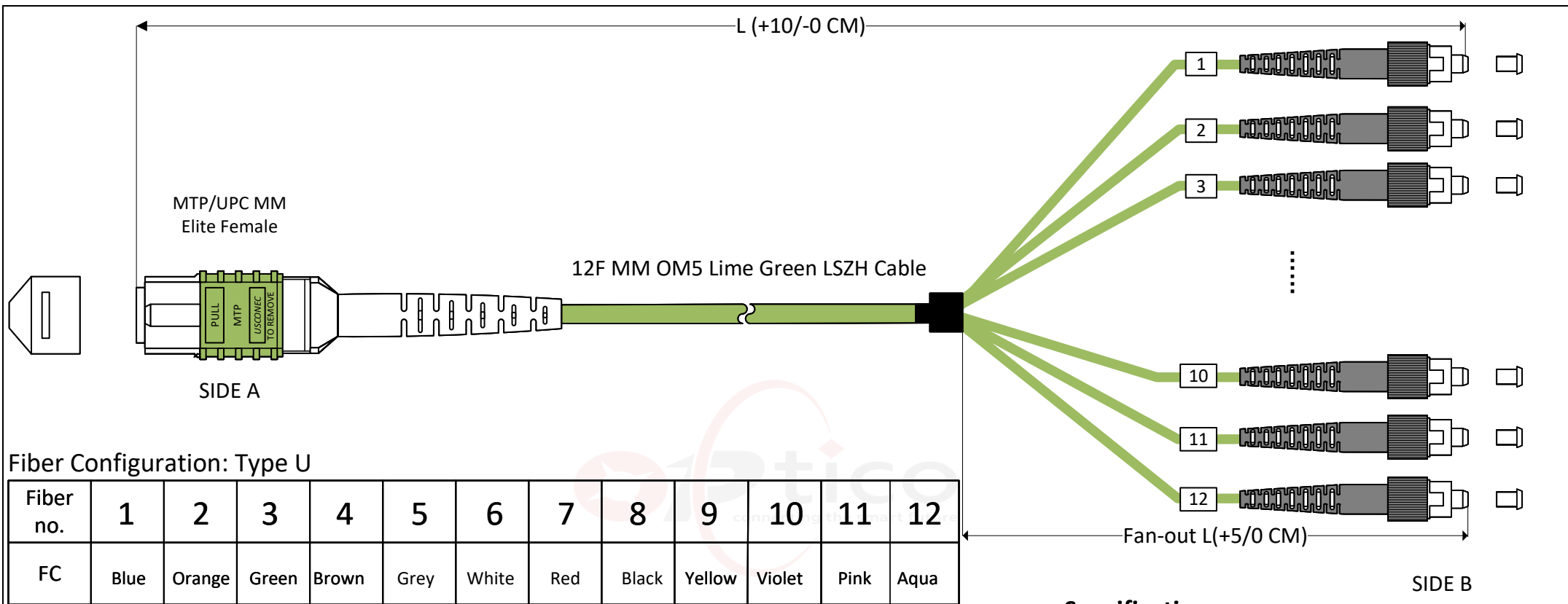


**Specification:**

- 1.MTP Low Loss IL:  $\leq 0.35\text{dB}$ , Ultra low loss:  $\leq 0.25\text{dB}$ ; FC Low loss:  $\leq 0.25\text{dB}$
- 2.Return Loss:  $\geq 35\text{dB}$
- 3.Operation Environment:  $-40\sim+85^{\circ}\text{C}$
- 4.Storage Environment:  $-40\sim+85^{\circ}\text{C}$

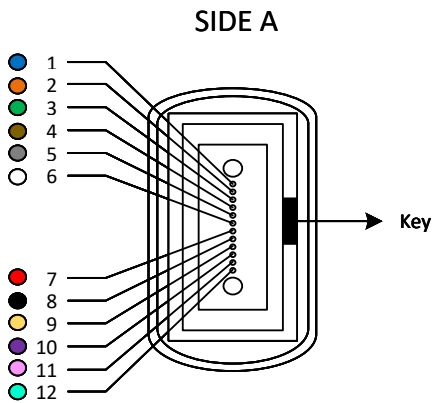


										<b>SHENZHEN OPTICO COMMUNICATION CO., LTD.</b>			
Model		12F MTPUPC Female-FC Fan-out Patchcord Type U OM3/4 3.0mm Magenta LSZH CPR-Dca Cable					OP-12F-MTPMFCU-FP-M3/4-U						
FIRST ANGLE PROJECTION	MATERIAL	UNIT	SCALE	SIZE	SHEET	DRAWN	XUELING W	DATE	2025.04.25				
	LSZH	m		A4	1	CHECKED	Michael Liu	DATE	2025.04.25				
						APPROVED	STEVEN Zhang	DATE	2025.04.25				



Fiber Configuration: Type U

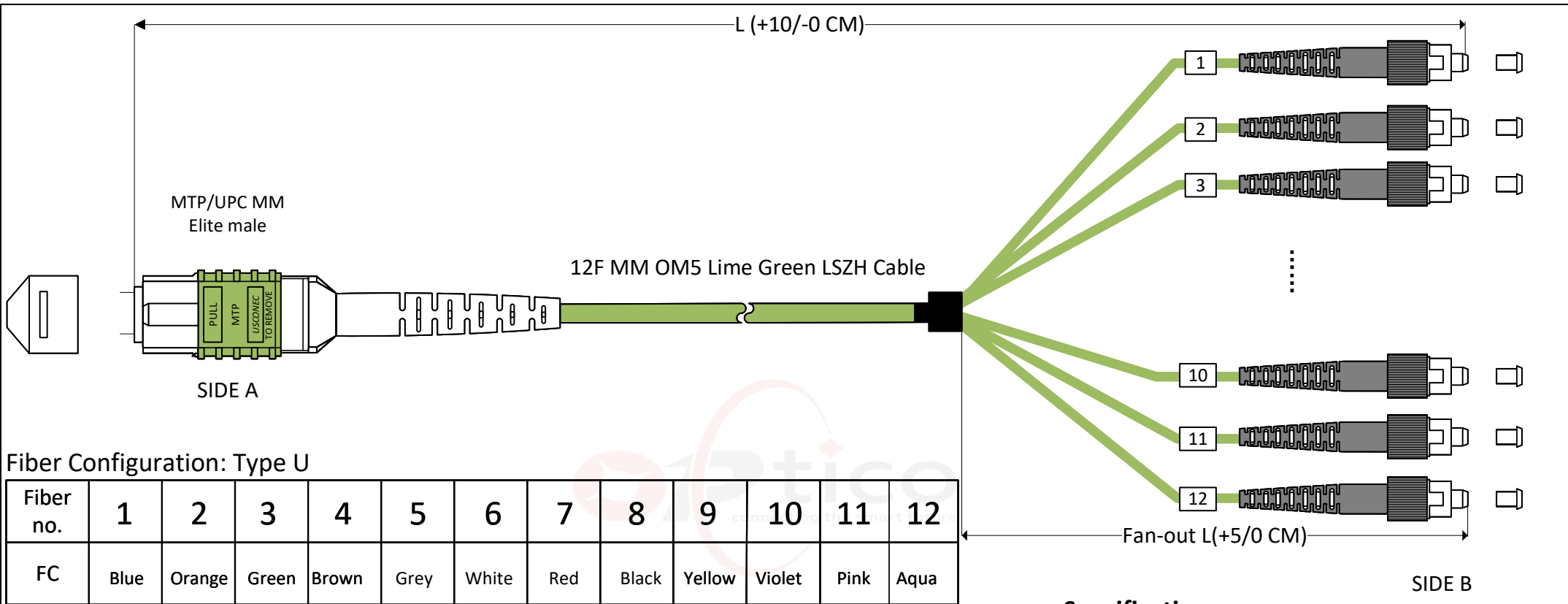
Fiber no.	1	2	3	4	5	6	7	8	9	10	11	12
FC	Blue	Orange	Green	Brown	Grey	White	Red	Black	Yellow	Violet	Pink	Aqua



**Specification:**

- 1.MTP Low Loss IL:  $\leq 0.35\text{dB}$ , Ultra low loss:  $\leq 0.25\text{dB}$ ; FC Low loss:  $\leq 0.25\text{dB}$
- 2.Return Loss:  $\geq 35\text{dB}$
- 3.Operation Environment:  $-40\sim+85^{\circ}\text{C}$
- 4.Storage Environment:  $-40\sim+85^{\circ}\text{C}$

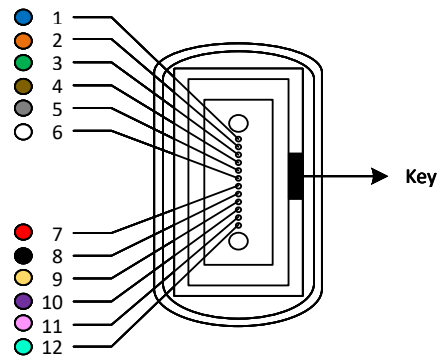
		<b>SHENZHEN OPTICO COMMUNICATION CO., LTD.</b>								
Model	12F MTPUPC Female-FC Fan-out Patchcord Type U OM5 3.0mm Lime Green LSZH CPR-Dca Cable						OP-12F-MTPFFCU-FP-M5-U			
FIRST ANGLE PROJECTION 	MATERIAL	UNIT	SCALE	SIZE	SHEET	DRAWN	XUELING W	DATE	2025.04.25	
	LSZH	m	/	A4	1	CHECKED	Michael Liu	DATE	2025.04.25	
						APPROVED	STEVEN Zhang	DATE	2025.04.25	



**Specification:**

- 1.MTP Low Loss IL:  $\leq 0.35\text{dB}$ , Ultra low loss:  $\leq 0.25\text{dB}$ ; FC Low loss:  $\leq 0.25\text{dB}$
- 2.Return Loss:  $\geq 35\text{dB}$
- 3.Operation Environment:  $-40\sim+85^{\circ}\text{C}$
- 4.Storage Environment:  $-40\sim+85^{\circ}\text{C}$

SIDE A



SHENZHEN OPTICO COMMUNICATION CO., LTD.

Model	12F MTPUPC Female-FC Fan-out Patchcord Type U OM5 3.0mm Lime Green LSZH CPR-Dca Cable					OP-12F-MTPMFCU-FP-M5-U			
FIRST ANGLE PROJECTION 	MATERIAL	UNIT	SCALE	SIZE	SHEET	DRAWN	XUELING W	DATE	2025.04.25
	LSZH	m	/	A4	1	CHECKED	Michael Liu	DATE	2025.04.25
						APPROVED	STEVEN Zhang	DATE	2025.04.25